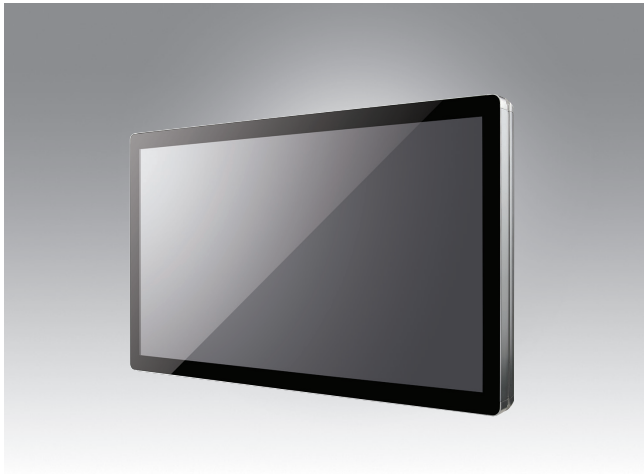


UTC-532

31.5" Ubiquitous Touch Computer 532J with Intel® Celeron® J6412



Features

- High performance and fanless system design
- Built-in Intel® Celeron® J6412 (UTC-532J)
- 31.5" monitor with 16:9 widescreen display
- IP65-rated front panel for water and dust resistance
- Aluminum frame with side groove design for flexible peripheral installation
- Supports both landscape and portrait screen orientations
- VESA 200 mm standard mounting holes for varied mounting demands



Introduction

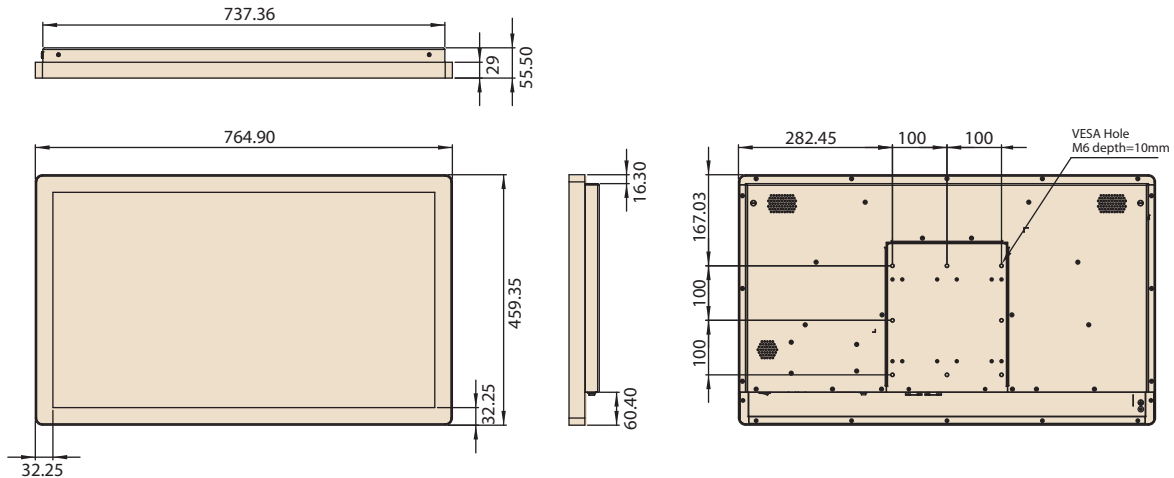
UTC-532 features an all-in-one computing system equipped with wide format, touch based LCD panel. It is easy to integrate key peripherals and display systems for diversified self-service and interactive signage deploy in different application areas. The systems deliver updated information with well-designed interactive interfaces, fully ensure relevant content and targeted promotions are delivered. UTC series touch panel computers are the best investments to enhance user satisfaction, further brand equity, and maximize business profits.

Specifications

Processor System	CPU	Intel Celeron® J6412 (Default)
	Base Frequency	2.0GHz
	Cache	1.5 MB L2 Cache
	Memory	1 x 260 pin SO-DIMM DDR4-3200 up to 32GB
	HDD	1 x 2.5 internal SATA HDD bay
	Network (LAN)	2 x RJ-45; LAN1: Realtek RTL8111H, LAN2: Realtek RTL8111H
	I/O ports	4 x USB3.2 Gen2 (10Gbps)
		2 x GbE, LAN1: Intel i219LM, LAN2: Intel i210AT/IT
	Stereo Speaker	1 x HDMI / 1 x DP
		1 x Audio Line-out
Bus expansion	1 x Mic-in	
	2 x RS-232 COM (RS-422/485)*	
	10W x 2	
	1x E-Key for wireless module (Type: 2230)	
Dimensions (W x H x D)	optional B-Key for LTE module	
	1x M-Key support SATA M.2 2242 module	
Weight	764.50 x 459 x 55.5 mm	
OS Support	18 kg (39.6 lb)	
	Win 10 IoT Enterprise	
Environmental Specifications	Win 11 IoT Enterprise	
	Android 14	
	Ubuntu 22.04	
	Operating Temperature	0 ~ 40° C (32 ~ 104° F)
	Relative Humidity	95% @ 40° C non-condensing
	Vibration	0.5G
	Shock	5 G peak acceleration (11 msec. duration)
Power Supply	Certification	CE, FCC, UL, CB, CCC, BSMI
	Front Panel Protection	IP65/ NEMA4 Compliant
	Input Voltage	12~24V _{DC}
	Adapter	24V, 9.59A (230W ITE adapter)
LCD Display	Power consumption	Typical 95W
	Size/Type	Max. 105W
	Max.Resolution	31.5" TFT LCD with LED backlight
	Max. Color	1920 x 1080
	Pixel Pitch (mm)	16.7 M
	Brightness (cd/m ²)	0.36375 (H) x 0.36375 (W)
Touch Screen (PE/GE)	View Angle	300
	Type	178°/178°
	Light Transmission	Projected Capacitive Touch Panel (Pcap. Flat Glass) / Glass Panel (No touch function)
Controller	Light Transmission	90% ± 2% / 90%
	Controller	USB Interface / -

Dimensions

Unit: mm



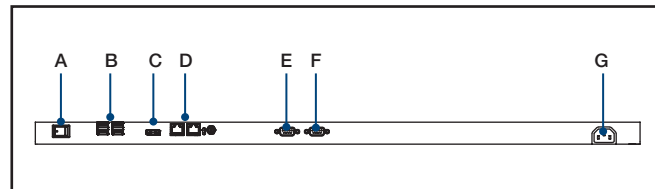
Ordering Information

Part No.	Description
UTC-532JP-ATB0E	31.5 Intel Celeron® J6412 fanless UTC with PCT.T/S. 8GB RAM
1702002605	Power cord 2P FRANCE 10A/16A 220V 1.83M 90D
1702002600	Power Cord 3P UL/CSA(USA) 125V 10A 1.83M 180D
170000596	Power Cord (China) CCC, 10A 250V, 3P 1830mm
1700018704	Power Cord UK BSI 2P 10A 250V 180cm 18AWG
1960060677N001	IO Cover for UTC-532 series

Installation Accessory for UTC-532

Part No.	Description
ARES-12290-L202000	Wall Mount kit for UTC-532
UTC-H01-STANDE	H-shaped floor stand

Fully- Integrated I/O



- A. Power Switch
- B. USB3.2 x 4
- C. HDMI
- D. LAN x2

- E. COM1
- F. COM2
- G. Power Inlet

Specifications

DeviceOn/iService Remote Device Management	Operating System	Windows 10
	Common Controls (Reboot, Shutdown)	✓
	Remote desktop	✓ (VNC)
	Audio Controls	✓*
	Connection Status	✓
	Hardware Status	✓*
	Hard Disk Status	✓*
	Batch Operation Support	✓
	OTA Storage Management	FTP
	OTA Software Updates	✓
	Software Watchlist	✓
	Software Start/Stop	✓*

Note: DeviceOn/iService software must be downloaded from the Advantech website at <https://www.advantech.com/search/?q=DeviceOn%2FiService&st=support&sst=Utility>

DeviceOn/iService

Unified Remote Device Management Software



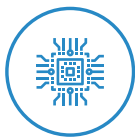
Features

- Supports Advantech devices equipped with Windows, Android, and Linux OS
- Flexible device, location, user, and permissions management
- Enables remote monitoring and control of hardware, software, and peripherals
- Supports over-the-air (OTA) firmware and software updates
- Ensures quick, easy, and secure device onboarding
- RESTful APIs for third-party system integration

Introduction

Advantech's DeviceOn/iService is a next-generation unified device management solution based on the WISE-DeviceOn platform. Designed to enable centralized monitoring and remote management, DeviceOn/iService supports Advantech devices equipped with Windows, Linux, or Android operating systems. The software also supports the management of applications and integrated peripherals, such as a barcode scanner, card reader, camera, and printer. Users can remotely access and control connected devices, take screenshots, rollout OTA upgrades, and use remote desktop capabilities for troubleshooting from any location at any time. Moreover, DeviceOn/iService supports batch operations to facilitate the management of multiple devices simultaneously for easy and convenient device configuration and deployment.

Total Management



Devices & Hardware

- Windows, Linux, Android
- Hardware, storage, battery



Software & Peripherals

- Software monitoring & access
- Screens, USB devices, printers



Open for Expansion

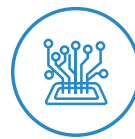
- Peripheral integration
- Open APIs for integration

Remote Access



Real-Time Monitoring

- Connection/hardware status
- Software/peripheral status
- Failure notifications



Remote Controls

- Power controls
- Audio, backlight controls
- Software controls



Troubleshooting

- Screenshots
- Remote desktop support

Operational Efficiency



OTA updates

- System/software updates
- File repository management
- App store



Batch Controls

- 1-to-many batch reboot, etc.
- Time-saving tasks



Setup Booster

- Software/peripheral watchlist
- Roles, rule templates

Note: Some functions may vary according to the product

System Architecture

